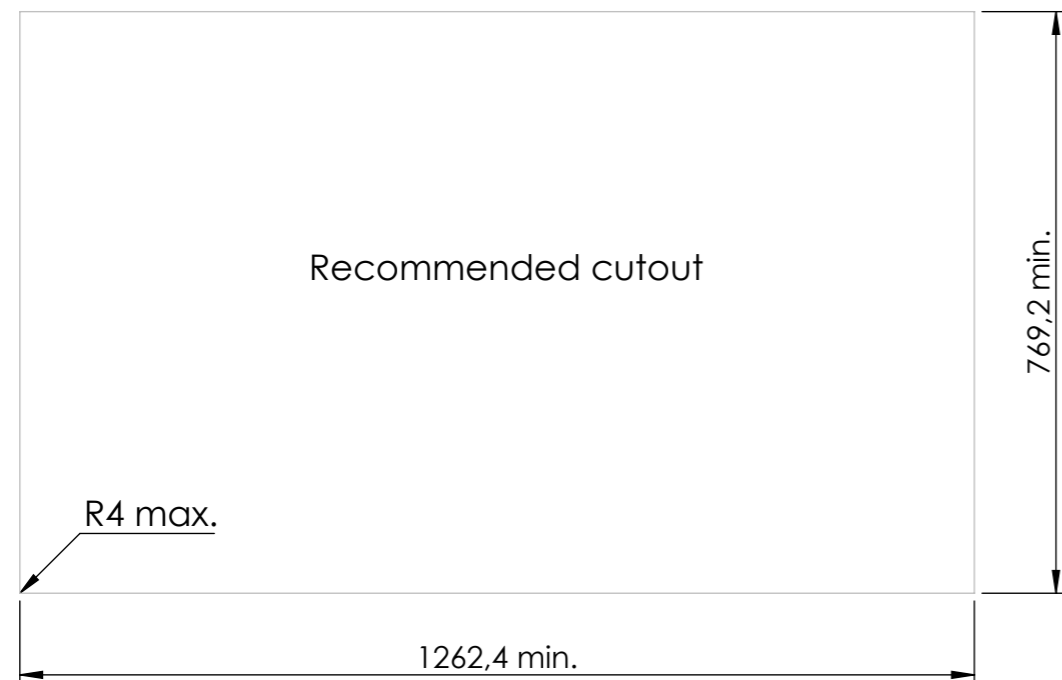
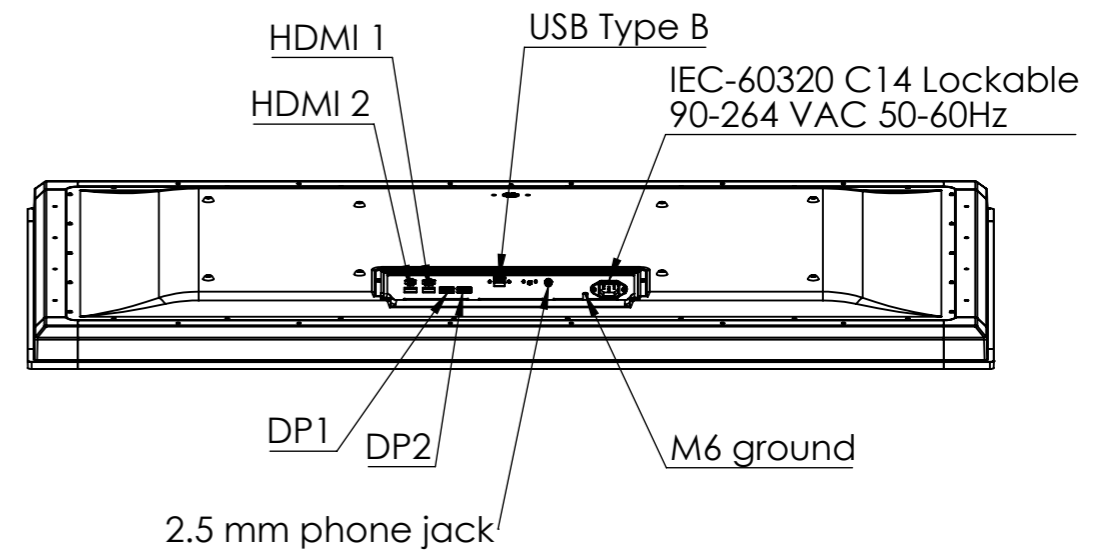
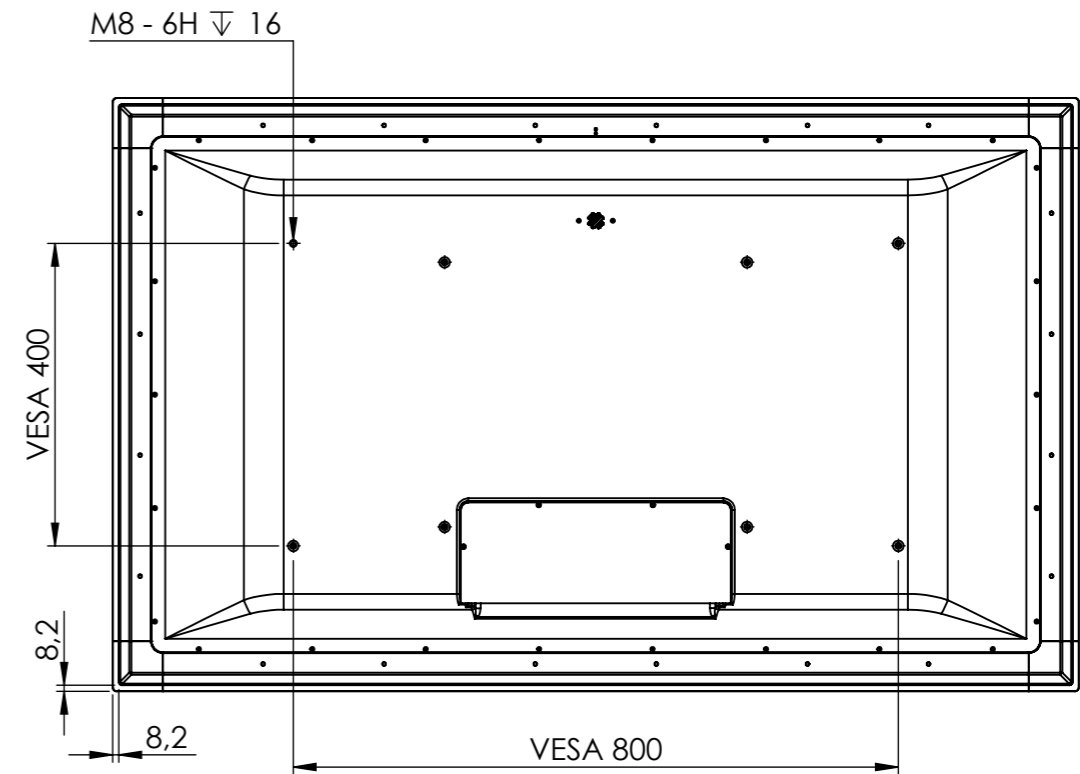
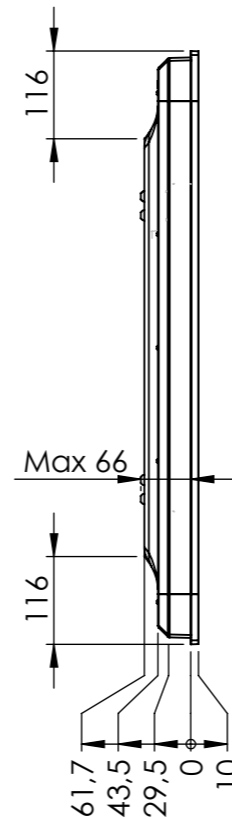
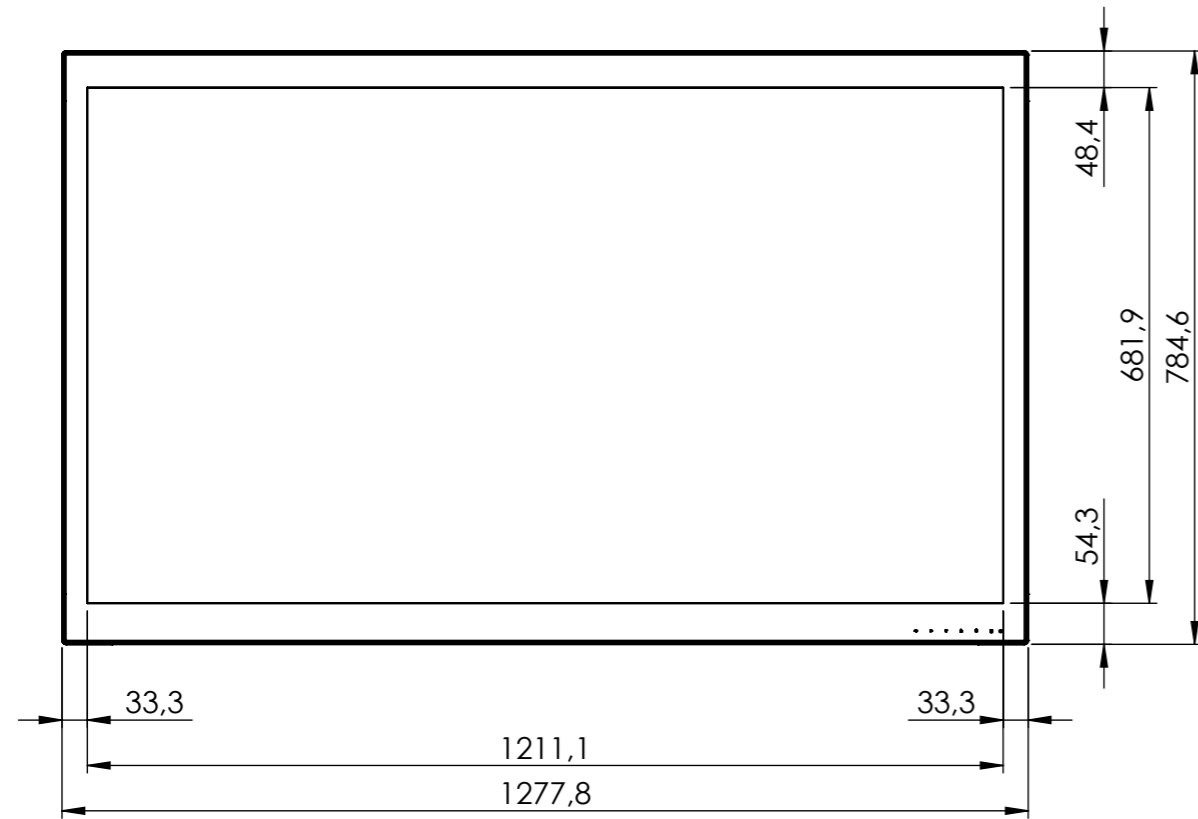
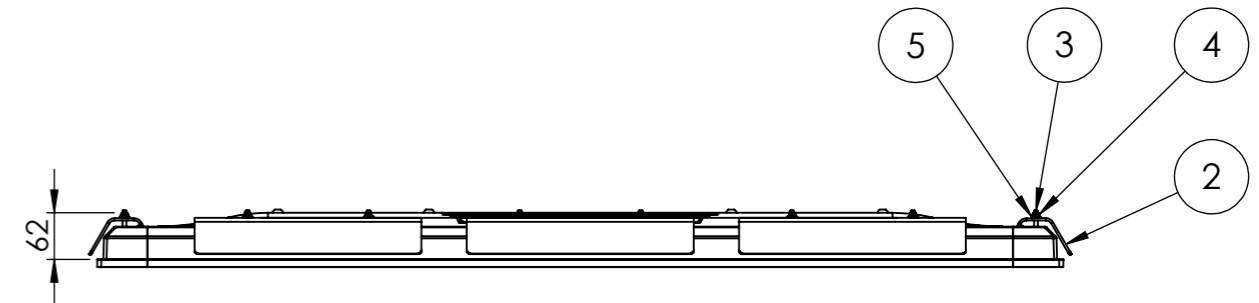
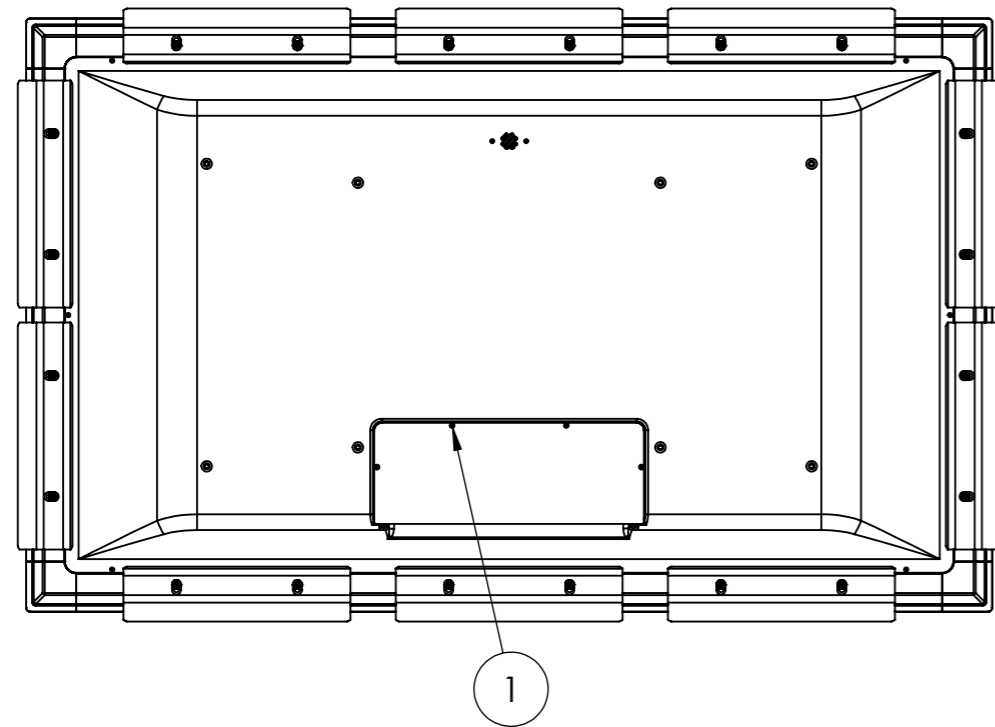
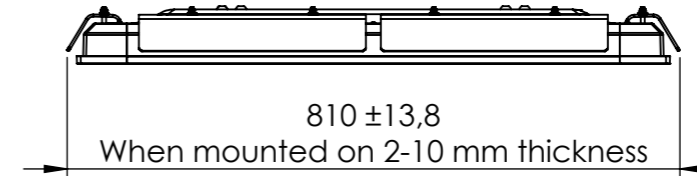
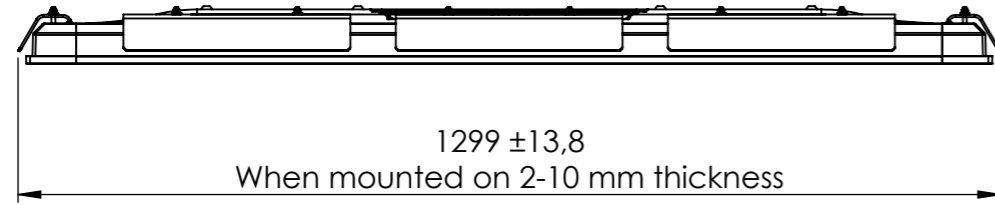


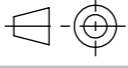

REVISIONS		
REV.	DESCRIPTION	DATE
A	First release	30-08-2022



	DEBURR AND BREAK SHARP EDGES	Last saved by: mfk 30. marts 2023 13:53:59	 TRUSTED HARDWARE SYSTEMS www.isic-systems.com Copyright © ISIC A/S. All rights reserved.
	TOLERANCES:	ECO: N/A	
MATERIAL: Material <not specified>	DESCRIPTION: DuraMON 55 S Outline		
FINISH:	DWG NO.	09356-000	REVISION A



ITEM NO.	PART NUMBER	REVISION	DESCRIPTION	QTY.
1	09413-810-A		Screw BH M8x10 Torx 40 A2 blackened	8
2	09402-000-A		Drop-in bracket 55 Glass G2	10
3	06644-530-A		Screw SET M5x30 HEX 2,5 A2 Flatpoint	20
4	00245-002-A		Lock nut M5 A2	20
5	09231-500-A	A	Spherical washer M5 A2 DIN 6319C	20

 DEBURR AND BREAK SHARP EDGES	Last saved by: mfk 30. marts 2023 13:53:59	 ISIC TRUSTED HARDWARE SYSTEMS www.isic-systems.com Copyright © ISIC A/S. All rights reserved.
	TOLERANCES: MATERIAL: Material <not specified> FINISH:	
DWG NO. 09356-000		REVISION A
03029-056 ISIC GTS apply to this item		
ALL DIMENSIONS ARE IN MILLIMETERS WEIGHT IN GRAMS: 51293,20 DO NOT SCALE DRAWING SCALE:1:10 SHEET FORMAT: A3 SHEET 2 OF 2		