

# DuraMON 22" C-Line

Wide Screen Monitor for Marine applications

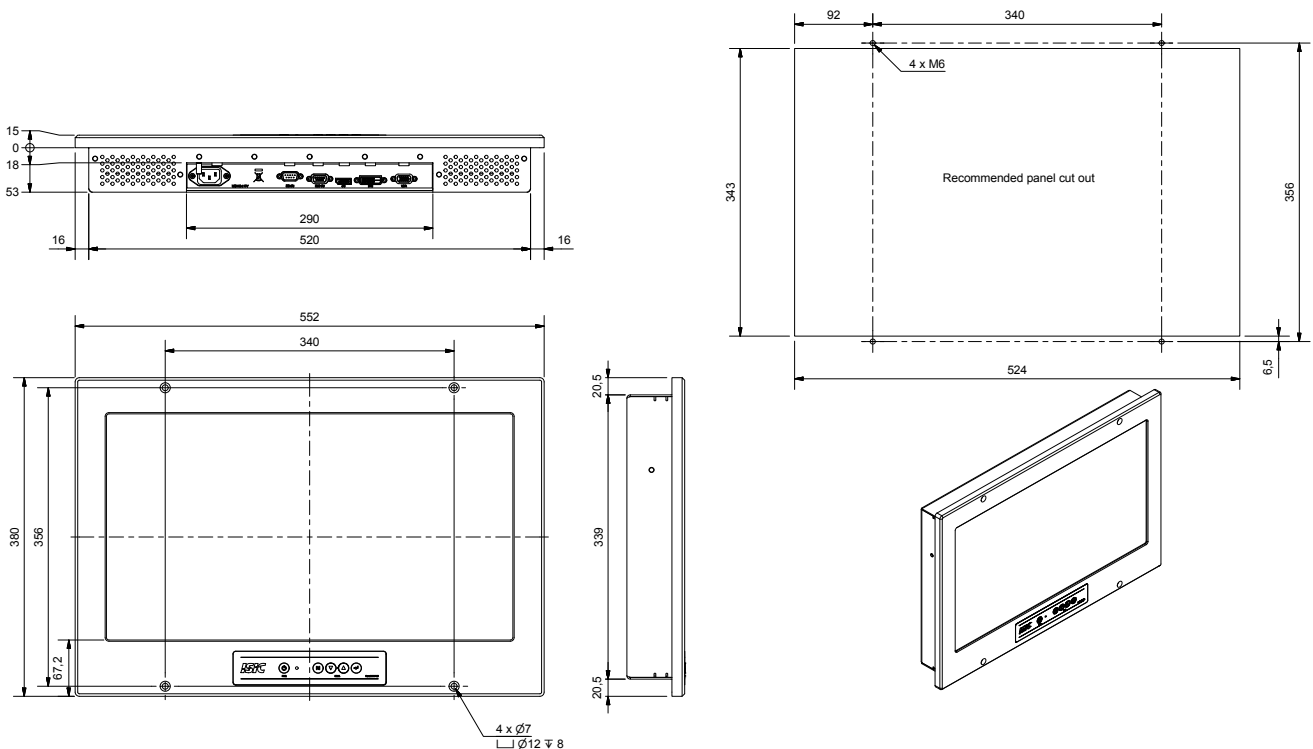


**DuraMON 22" C-Line** monitors are designed for marine, naval and other demanding environments where reliable and durable hardware is required.

The C-Line product family has a long track record in the market and features integrated membrane keys for dimming and is mountable from the front.

✓ 60945 Type Approval

## Mechanical outline



## Display properties

Size	21.5" wide screen
Aspect ratio	16:9
Active area	476.6 x 268.1 mm
Luminance	250 Cd/m <sup>2</sup>
Contrast	5000:1
Native resolution	1920 x 1080 (full HD)
View angle	89° (L/R/T/B) typical
Glass	Anti reflection coated front glass

## Input/output terminals

VGA video input	1 x 15p D-sub female
DVI-D video input	1 x DVI-D Dual link connector female
DP video input	1 x DP 1.2 connector female
Serial RS232	1 x 9p D-sub female - remote control
Serial RS422/485	1 x 9p D-sub female, optional
USB	Optional 1 x USB 2.0 for touch sensor
Audio Buzzer	None

## Operator control interface & OSD

Power	Power on/off (press for 10 sec. to turn off)
Menu	Get OSD menu
Up	Navigate menu / adjust backlight up
Down	Navigate menu / adjust backlight down
Enter	Navigate menu / enter set value

## Power supply/power consumption

AC power	100-240 VAC 50/60Hz (Nominal Marine)
DC power	24 VDC (Nominal Marine) optional
Typ. Consumption	31W (VA)
Max. Consumption	35W (VA)

## Physical dimensions

Dimensions	552 (W) x 380 (H) x 68 (D) mm
Dimensions in box	620 (W) x 450 (H) x 160 (D) mm
Weight	9 kg
Weight in box	10 kg

## Environmental

Operating temp.	- 15 to 55° C
Storage temp.	- 25 to 70° C
Humidity	8 to 95% relative humidity
Protection	IP56 from front - IP20 from rear
Materials encl.	Sea water resistant Aluminum
Surface treatment	Black Powder coating RAL 9005

## Options & accessories

Touch	PCAP multi touch (not included in certificate)
ECDIS	Not available
USB	1 x USB 2.0 for touch sensor
RS 422/485	Optional extra COM port
Wall bracket	Wall mount bracket (05293-000)
Table bracket	Table/ceiling mount bracket (05292-000)

## Approvals & Certificates

CE mark	Certificate of conformity (03029-008)
Marine	IACS E10 rev. 8 & IEC 60945 ed.
Certificate	DNV Mutual Recognition
Licence	BIS (Bureau of Indian Standards)
Compass SD	175 cm (stand.) 110 cm (steer.)