

DuraMON 15" C-Line

Monitor for Marine Applications

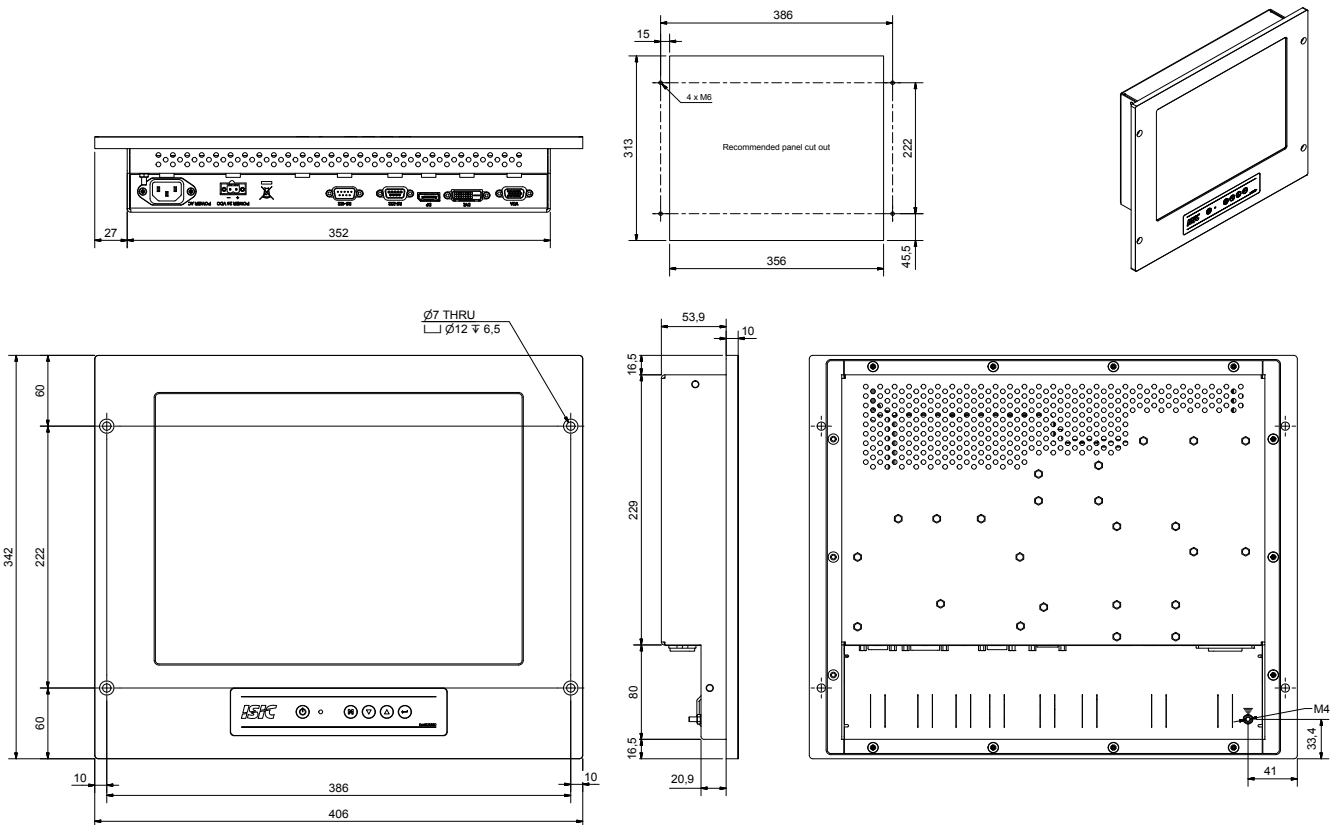


DuraMON 15" C-Line monitors are designed for marine, naval and other demanding environments where reliable and durable hardware is required.

The C-Line product family has a long track record in the market and features integrated membrane keys for dimming and is mountable from the front.

✓ 60945 Type Approval

Mechanical outline



Display properties

Size	15.0"
Aspect ratio	4:3
Active area	304.1 x 228.1 mm
Luminance	500 Cd/m ²
Contrast	2500:1
Native resolution	1024 x 768
View angle	88° (L/R/T/B) typical
Glass	Anti reflection coated front glass

Input/output terminals

VGA video input	1 x 15p D-sub female
DVI-D video input	1 x DVI-D Dual link connector female
DP video input	1 x DP 1.2 connector female
Serial RS232	1 x 9p D-sub female - remote control
Serial RS422/485	1 x 9p D-sub female - optional
USB	1 x USB 2.0 for touch sensor, optional
Audio Buzzer	None

Operator control interface & OSD

Power	Power on/off (press for 5 sec. to turn off)
Menu	Get OSD menu
Up	Navigate menu / adjust backlight up
Down	Navigate menu / adjust backlight down
Enter	Navigate menu / enter set value

Power supply/power consumption

AC power	100 - 240 VAC 50/60Hz (Nominal Marine)
DC power	24 VDC (Nominal Marine) optional
AC/DC dual power	230 VAC + 24 VDC combined optional
Typ. Consumption	18W (VA)
Max. Consumption	30W (VA)

Physical dimensions

Dimensions	406 (W) x 342 (H) x 64 (D) mm
Dimensions in box	480 (W) x 410 (H) x 170 (D) mm
Weight	4.1 kg
Weight in box	6.5 kg

Environmental

Operating temp.	- 15 to 55° C
Storage temp.	- 25 to 70° C
Humidity	8 to 95% relative humidity
Protection	IP56 from front - IP20 from rear
Materials encl.	Sea water resistant Aluminum
Surface treatment	Black Powder coating RAL 9005

Options & accessories

Touch	Resistiv, not included in DNV certificat
ECDIS	Not available
USB	1 x USB 2.0 for touch sensor
RS 422/485	Optional extra COM port
Wall bracket	Wall mount bracket (05876-000)
Table bracket	Table/ceiling mount bracket (05869-000)

Approvals & Certificates

CE mark	Declaration of conformity (03029-012)
Marine	IACS E10 rev. 8 & IEC 60945 ed. 4
Type approval	DNV Mutual Recognition
Compass SD	165 cm (stand.) 110 cm (steer.)