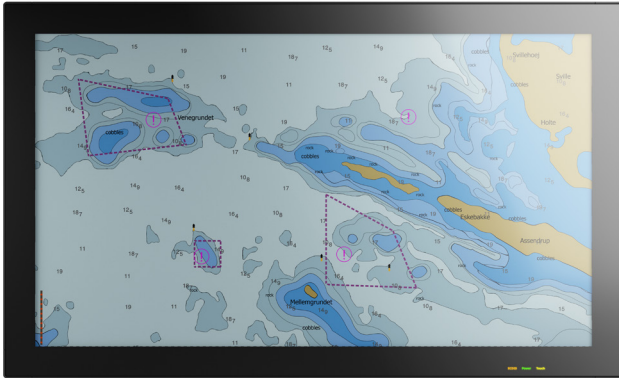


DuraMON 55" G-Line

Wide Screen Monitor for Radar & ECDIS



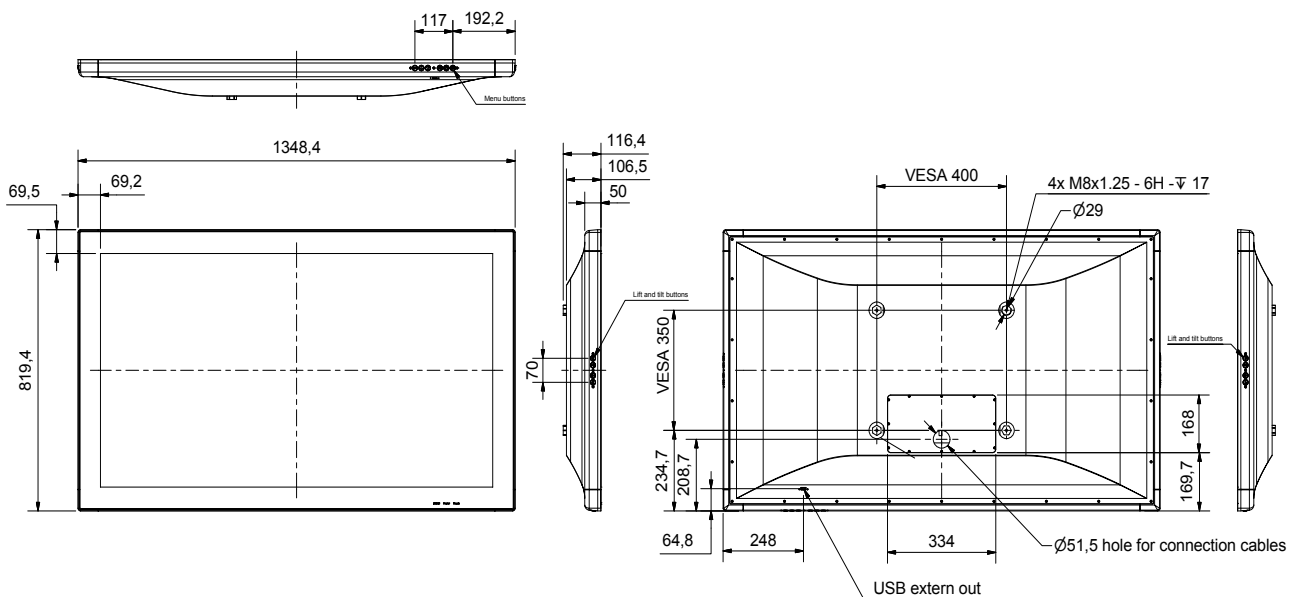
DuraMON 55" G-Line monitors are designed for marine, naval and other demanding environments where reliable and durable hardware is required. Applicable as sea chart table.

The DuraMON 55" G-Line has a long track record in the market and features full glass front and membrane keys for dimming and OSD navigation.

- ✓ 60945 Type Approval
- ✓ ECDIS Applications
- ✓ Radar Applications

Mechanical outline

DuraMON 55" G-Line



Wall bracket available - ISIC PN 08360-000

Specifications DuraMON 55" G-Line

Display properties

Size	55.0" wide screen
Aspect ratio	16:9
Active area	1210.0 x 680.0 mm
Luminance	450 Cd/m2
Contrast	4000:1
Native resolution	3840 x 2160 (4K)
View angle	89° (L/R/T/B) typical
Glass	Anti reflection coated front glass

Input/output terminals

HDMI video input	2 x HDMI 1.4 Up to 3840x2160 30Hz
DVI-D video input	1 x DVI-D Up to 1920x1080 60Hz
DP video input	2 x DP 1.2a Up to 3840x2160 60Hz
Serial RS232	1 x 9p D-sub female - remote control
Tilt & Lift out	Output for ISIC floorstand control
USB	1 x USB for touch sensor (optional)
USB external	1 x USB route through

Operator interface front panel

Power	Power on/off (press for 10 sec. to turn off)
Menu	Get OSD menu
Up	Navigate menu / adjust backlight up
Down	Navigate menu / adjust backlight down
Enter	Navigate menu / enter set value
Touch	Switch on and off touch sensor

Power supply/power consumption

AC power	90 - 264 VAC 50 - 60Hz
Typ. Consumption	125 W
Max. Consumption	200 W

Physical dimensions

Dimensions	1349 (W) x 819 (H) x 95 (D) mm
Dimensions pallet	1600 (W) x 800 (H) x 1200 (D) mm
Weight	75 kg
Weight on pallet	130 kg

Environmental

Operating temp.	- 15 to 55° C
Storage temp.	- 25 to 70° C
Humidity	8 to 95% relative humidity
Protection	IP65 from front - IP20 from rear
Materials encl.	Sea water resistant Aluminum
Surface treatment	Black Powder coating RAL 9005

Options & accessories

Touch	P-Cap multi touch
ECDIS	Colour calibration for ECDIS applications
USB	1 x USB 2.0 for touch sensor
Wall bracket	Wall mount VESA bracket (08360-000)
Floor stand	Floor stand (08300-000)

Approvals & Certificates

CE mark	EN 61000-6-2 & EN 61000-6-4
Marine	IACS E10 rev. 8 & IEC 60945 ed. 4
ECDIS	IEC 61174 ed. 4
Radar/Navigation	IEC 62388 ed. 2 & IEC 62288 ed. 2
Certificate	DNV Mutual Recognition
Compass SD	560 cm (stand.) 360 cm (steer.)