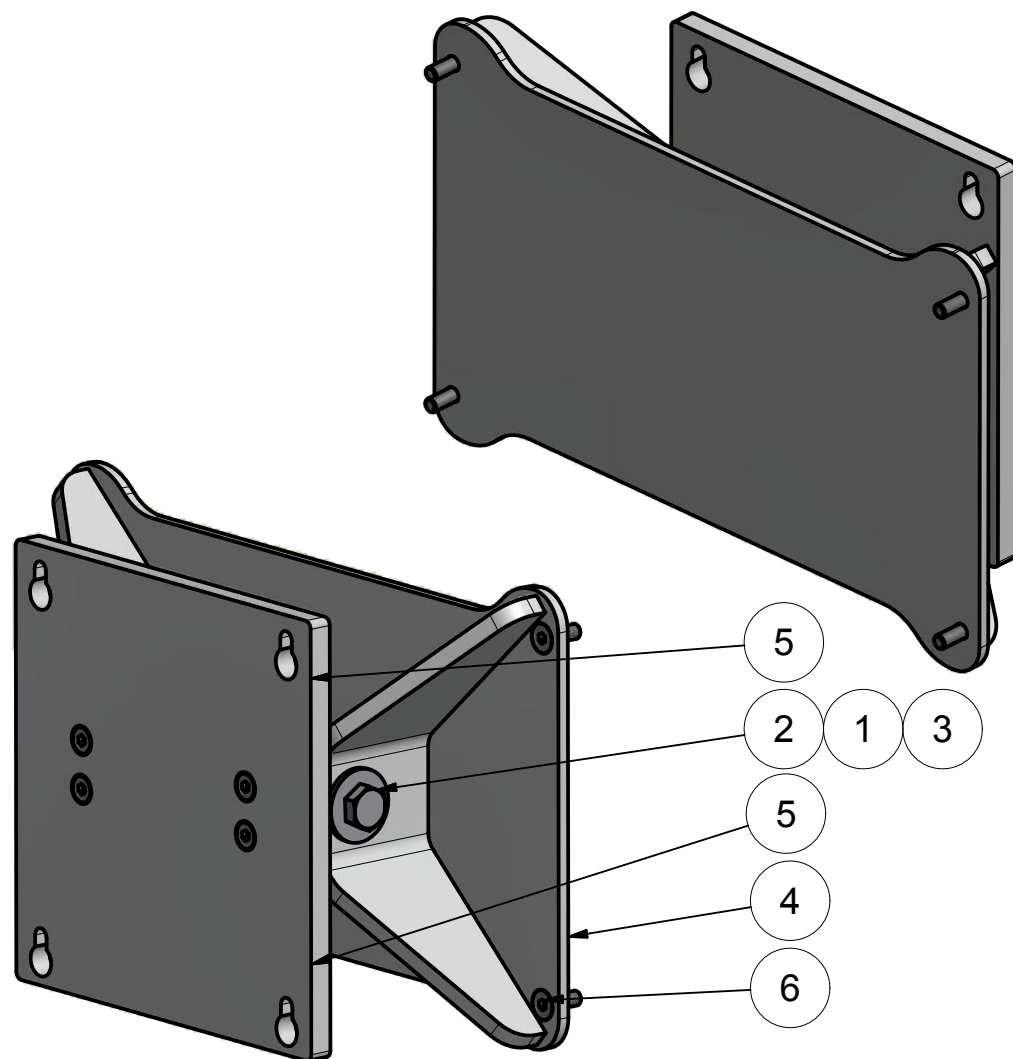
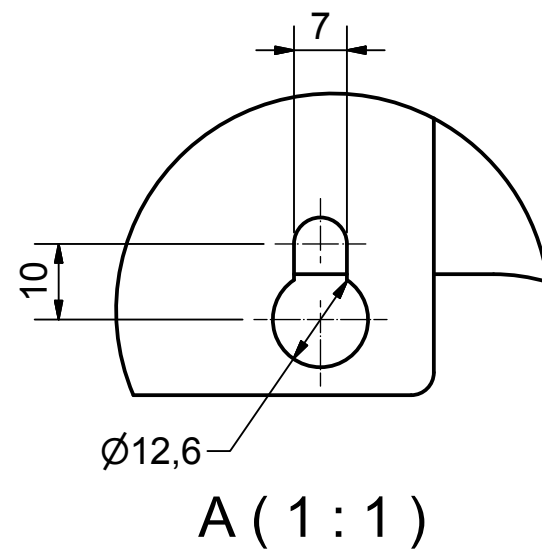


Ø6,6  
 ✓ Ø12,5 X 90°

Remove all burrs and sharp edges.



Parts List					
ITEM	QTY	PART NUMBER	REV	DESCRIPTION	
1	4	00239-005		SKIVE PLAN Ø10,5X30X2,5 A2 DIN9021	
2	1	05185-160	A	Screw HEX CAP M10x160 A2 DIN 931 (ISO4014)	
3	1	00245-005	A	Lock nut M10 A2 DIN 985	
4	1	06708-000	B	VESA mounting 280x150	
5	1	05281-000	B	Bracket wall DuraMON WS	
6	4	00201-032	A	SCREW CS M6x18 HEX A2 DIN 7991	

Material:		Surface: Powder coating black RAL 9005 in accordance with doc. 06080-000	
Units: mm	Projection method:	General tolerances: ± 0,2 Hole position: ± 0,1 Angle, straightness and flatness: DS/ISO 2768-H	Sheet: 1 of 1
		Designed by	ksc 07-11-2014
		Approved by	NHL 07-11-2014
ISIC A/S, Edwin Rahrs Vej 54, DK-8220 Brabrand. Tlf.: +45 70207077. Web: www.isic.dk		Scale:	Drawing no.
Subject:		1:3	07317-001
DuraMON VESA 150x280 wall		Replaces:	
This document contains proprietary information and is not to be used or reproduced without the written permission of ISIC A/S			Rev. A