

DuraMON Classic 22", 24", 27"

Table Bracket

Assembly instruction

Table of content

1. TECHNICAL SPECIFICATION.....	2
2. BILL OF MATERIAL	2
3. INSTALLATION AND OPERATION	3
3.1. ADJUSTMENT.....	3
3.2. MOUNTING.....	3

Disclaimer

ISIC A/S makes no representation or warranties with respect to the contents or use of this manual, and specifically disclaims any express or implied warranties of merchantability or fitness for any particular purpose. Further, ISIC A/S reserves the right to revise this publication and to make changes to its content at any time, without obligation to notify any person or entity of such revisions or changes.

Copyright 2018

ISIC A/S
Edwin Rahrs Vej 54
DK-8220 Brabrand
Denmark

Phone: +45 70 20 70 77
Fax: +45 70 20 79 76
Web: <http://www.isic-systems.com>



1. Technical specification

DuraMON Classic 22", 24", 27" Table Bracket

Weight:	~4 kg
Dimensions (WxHxD):	360 (W) x 410 (H) x 176 (D)
Materials:	Aluminum w. powder coating black RAL 9005. Screws and washers A2

2. Bill of material

Item included in Table Bracket kit

ITEM	QTY	ISIC item No.	DESCRIPTION
1	2	00195-016	SCREW CH M4x16 HEX A2 DIN 912 (ISO 4762)
2	2	00201-021	SCREW CS M5x20 HEX A2 DIN 7991
3	2	04551-001	Screw CH M5x20 Hex Low head A2 DIN 7984
4	2	00238-002	Washer Ø4,3x8x0,5 A2 DIN 433
5	2	00238-003	Washer Ø5,3x9x1 A2 DIN 433
6	1	05292-000	DuraMON 22", 24", 27" Table Bracket

Item included in Monitor kit

ITEM	QTY	ISIC item No.	DESCRIPTION
M1	4	04551-020	Screw CH M6x20 Hex Low head A2 DIN 7984 Black RoHS
M2	4	04491-000	Blind plug for DuraPANEL/MON



3. Installation and operation

3.1. Adjustment

1. Untie and remove the two screws on each side of the bracket (position ② fig.1)
2. DuraMON 22": Line up holes to threaded holes marked B and E (fig. 2)
DuraMON 24": Line up holes to threaded holes marked C and F (fig. 2)
DuraMON 27": Line up holes to threaded holes marked D, E and G (fig. 2)
3. Refit and fasten the screws again. For DuraMON 27" only, use two extra screws (bracket kit, item no. 2) for position A(fig. 1)

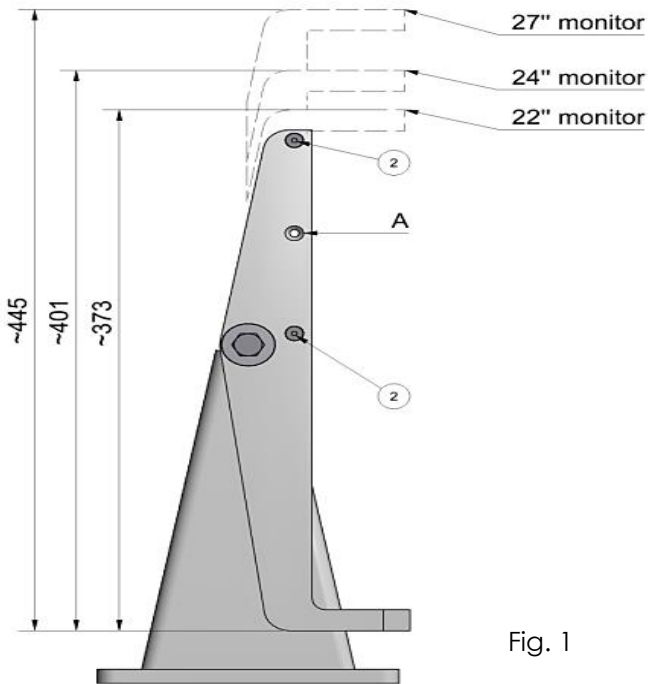


Fig. 1

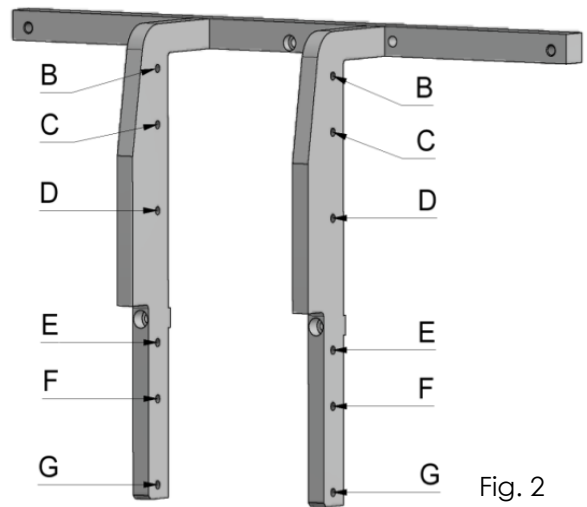
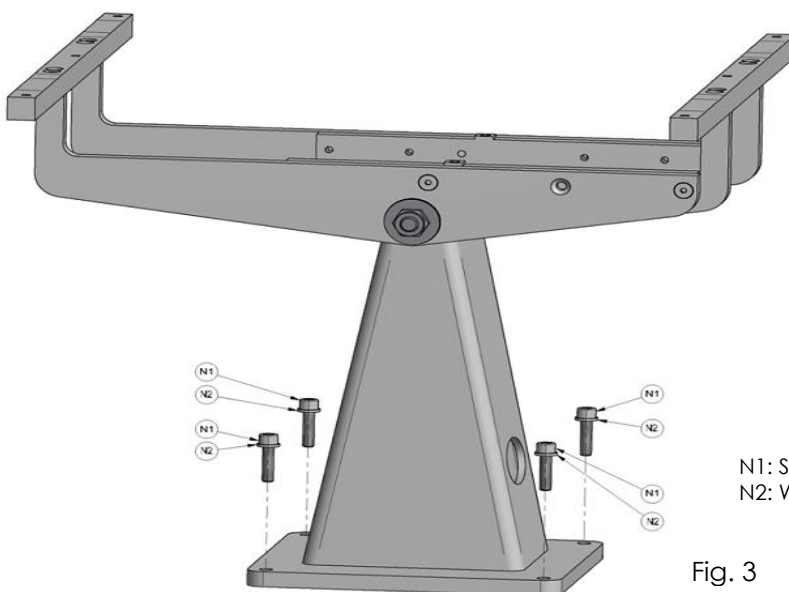


Fig. 2

3.2. Mounting

1. Place and mount the bracket on suitable surface (fig. 3)



N1: SCREW CH M6x25 HEX DIN912 A2 (ISO 4762)
N2: Washer Ø6,4X12X1,6 DIN125A A2

Fig. 3

NOTE: For secure mounting, fasten the bracket to suitable surface with four screws and four washers, with similar properties or better, as item N1 and N2 (not included). Minimum recommended thread engagement is 9mm or nut DIN985 A2.



2. Place the monitor on the top of the leveled bracket, and align mounting holes
3. Fasten the four screws and four blind plugs (monitor kit M1 and M2) (fig 4)

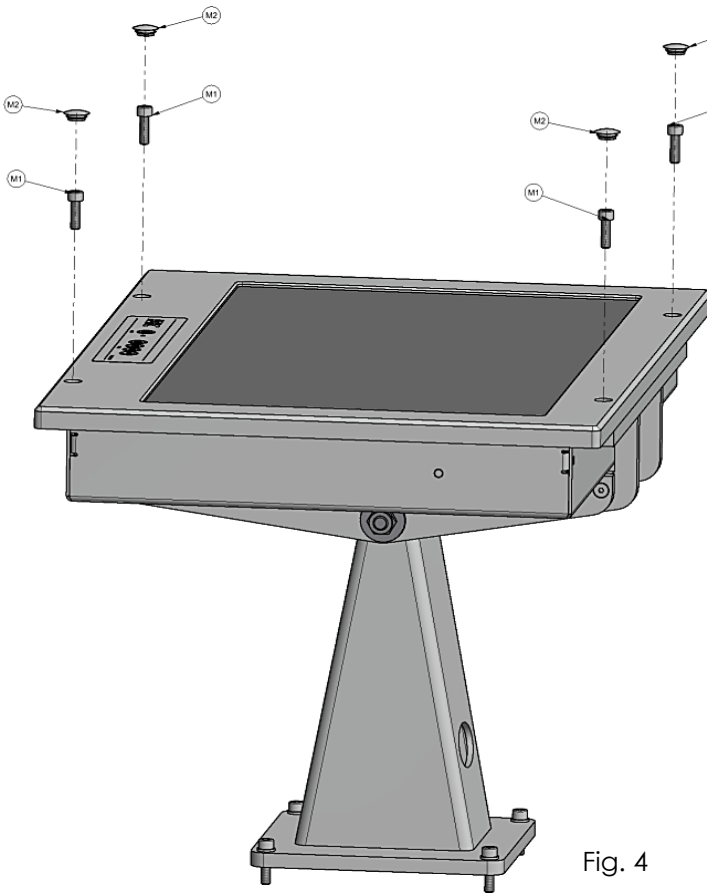


Fig. 4

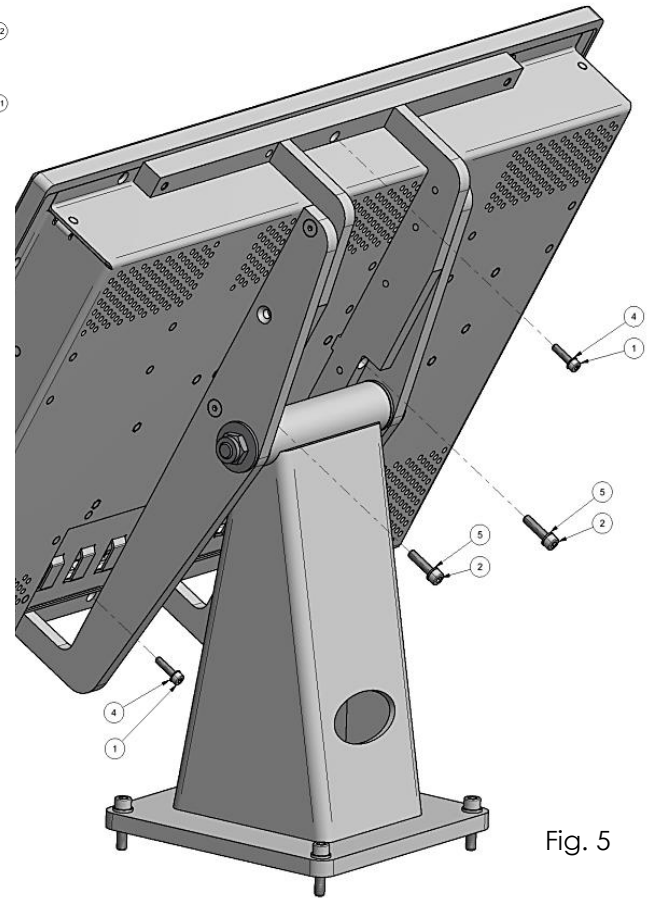


Fig. 5

4. Fasten two screws with washers (bracket kit item 1 and 4) at top and bottom of monitor bracket (fig. 5)
5. Fasten two screws with washers (bracket kit item 2 and 5) at the middle of monitor bracket (fig. 5)

ISIC

Edwin Rahrs Vej 54
DK-8220 Brabrand
Denmark

Web: <http://www.isic-systems.com>

Email: service@isic-systems.com

ISIC

Assembly instruction – DuraMON Classic 22", 24", 27" Table Bracket

PN: 05292-000 MA. Rev A Page 4